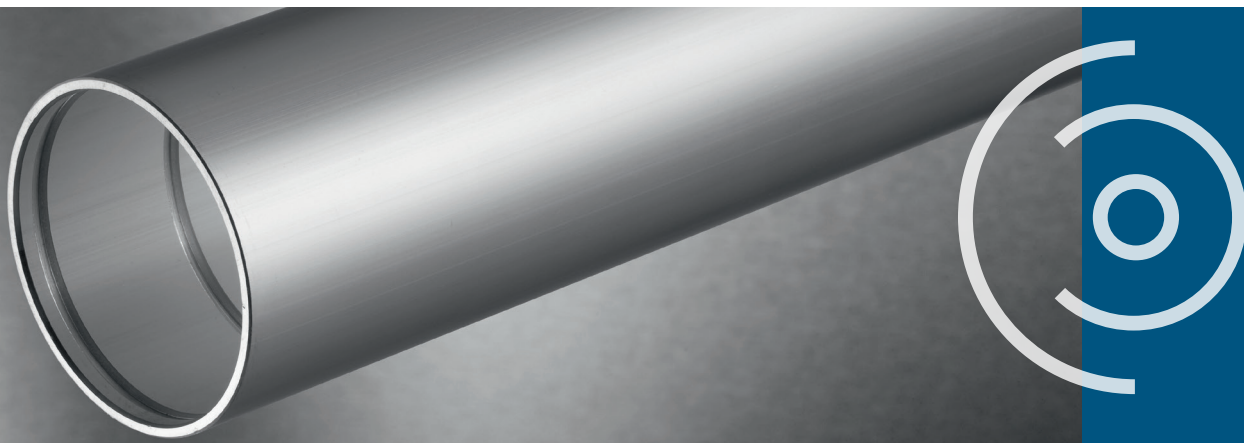


CPT-PLUS CYLINDER TUBE

On demand, INOMETA can also supply its first-class, ready-to-install CPT plus cylinder tubes which precisely fit individual applications.



ALLOY

- EN AW-6060/ 6063
- warm-hardened
- tensile strength $R_m \geq 215$ MPa

PRODUCTION PROCESS

- hot extruded via chamber mould calibrated

SAWING

- to fixed lengths, burr-free, with narrow tolerances

GRINDING

- centerless grinding

SURFACE REFINEMENT

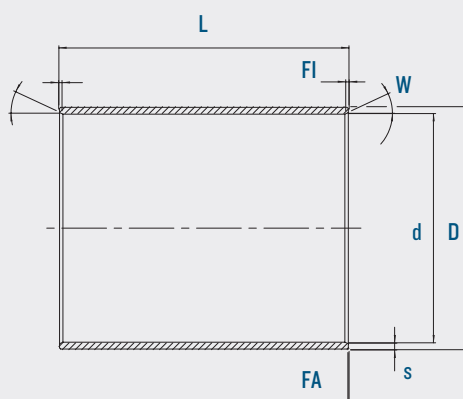
- anodizing
- hard-anodizing
- PROTEK®
- others on demand

PROCESSED

- machined according to drawing, as ready to install
Cylinder tube CPT plus

OTHERS

In our high-bay warehouse with integrated
Sawing center store over 600 tons of aluminum tubes
and profiles



D = external diameter
d = inner diameter
L = length
s = wall thickness
FA = chamfer OD
FI = chamfer ID
W = angle

Stand: 01/2018